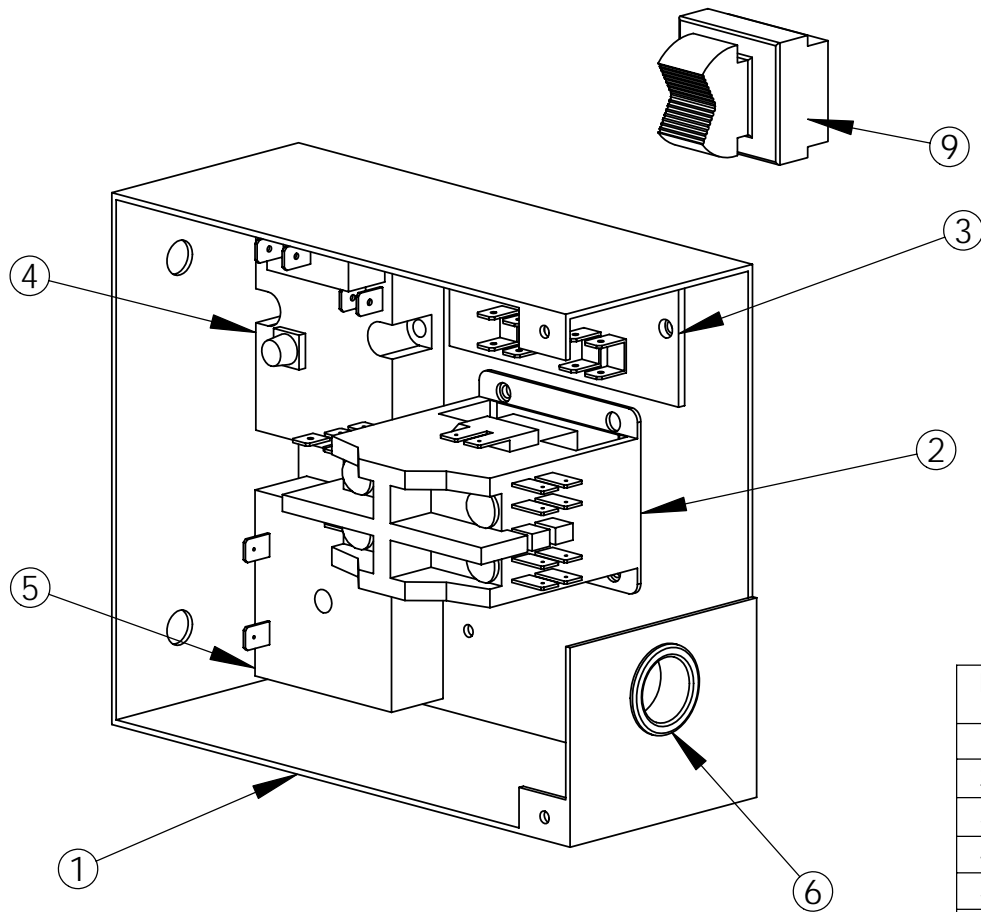


MATERIAL:	STOCK NO.	UNIT OF MEASURE: EA.	P/N 15855	REV. B
-----------	-----------	----------------------	------------------	--------



ITEM NO.	QTY.	PART NO.	DESCRIPTION
1	1	110046	WIRE BOX
2	1	69995	CONTACTOR
3	1	61073	TERMINAL BOARD
4	1	70531	CYCLE TIMER, 120 VOLT (10.0 MIN)
5	1	70533	DELAY, 120 VOLT (1.5 SEC)
6	1	61132	BUSHING, SNAP 7/8"
7	6	60308	SCREW, #8 X 1/2 SMS
8	1	60341	SCREW, #8 X 1-1/4 SMS (TIMER)
9	1	70023	AUTO/CLEANOUT SWITCH

NOTES:
 1) WIRES AND HARDWARE NOT SHOWN
 2) REFERENCE WIRING DIAGRAM 81395
 3) REFERENCE WIRE CUT LIST 14747

REV.	REVISION CHANGE	ECN	ENG	DR	DATE
A	NEW RELEASE	1564	BR	BH	9/22/05
B	ITEM 9 WAS S0332300	1826	JMP	JAG	2/24/10

THESE DRAWINGS AND SPECIFICATIONS ARE THE PROPERTY OF SANISERV AND SHALL NOT BE REPRODUCED OR USED AS THE BASIS FOR MANUFACTURE OR SALES OF APPARATUS WITHOUT PERMISSION.

SW 2004	CAD FILE NUMBER	SaniServ	451 E. COUNTY LINE ROAD	
	15855B		MOORESVILLE, IN 46158	
TITLE: ASSEMBLY, WIRE BOX				
MODEL: DF-200		USED ON: 4050010		
DRAWN: BH		CHKD.	DATE: 9/22/05	
SCALE:	1 SHEET OF 1	P/N	15855	REV. B

UNLESS OTHERWISE SPECIFIED TOLERANCES

DECIMAL	FRACTIONAL
X.X ±0.015	X.X ±1/64"
X.XX ±0.010	ANGULAR
X.XXX ±0.005	±1°

REMOVE ALL BURRS AND BREAK ALL SHARP EDGES
DO NOT SCALE DRAWING