



Job: _____

Item No. _____

DESIGNED FOR HIGHER VOLUME APPLICATIONS

**Five – 16 oz. Servings per Minute per side and 20 Quart Capacity per side
GREAT FOR RESTAURANTS, BUFFETS, & ICE CREAM SHOPS**

The **SaniServ**® model 624 Floor Model Freezer provides not one but two favorite shake flavors in a high production floor model machine! The output and versatility of the 624 means owners and operators can choose two of their best sellers and because each side of the machine utilizes its own 2 HP refrigeration system, customers are always insured of getting their favorites! Add a pair of spinners for each side and the shake flavor choices are endless!

NEW SCROLL COMPRESSOR

Provides the **SaniServ**® Model 624 with quiet operation. It is 20% more efficient. Increased durability, with 50% longer service life.

HEAVY DUTY

Floor Model Design - SaniServ® model 624 provides a high volume of milk shakes in the traditional floor model design.

EASY CLEANING AND OPERATION

Fewer Parts = Simplified Cleaning – SaniServ® equipment is designed and built with the fewest parts to be disassembled, cleaned and sanitized than any other machine in the industry. The state of the art solid-state **AccuFreeze**™ control insures product consistency, worry-free operation and customer satisfaction.

HIGH RETURN ON INVESTMENT

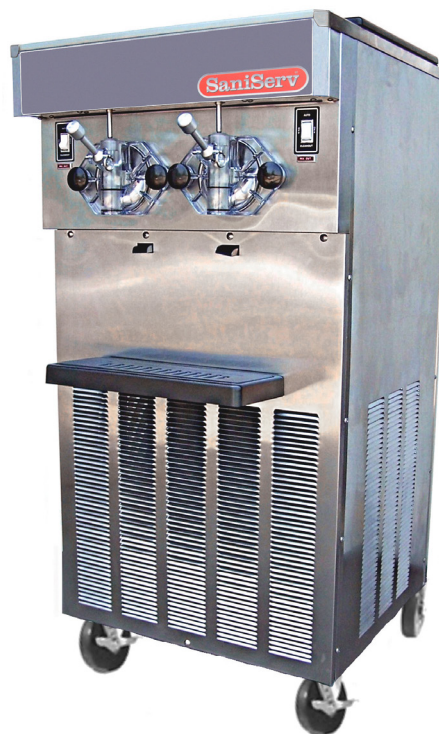
Increased Profits – SaniServ® machines combine efficiency with consistent product quality and fast, quiet operation while insuring customer satisfaction with high profit ice cream or yogurt products.

QUALITY DESIGN

Durability – SaniServ® machines are built to achieve long and dependable life through simplicity of design. Every machine is shipped standard with a stainless steel exterior, durable steel interior frame construction, heavy-duty components and consistency systems.

Model 624

Floor Model
Twin Flavor
Shake Machine
With **AccuFreeze**™ control



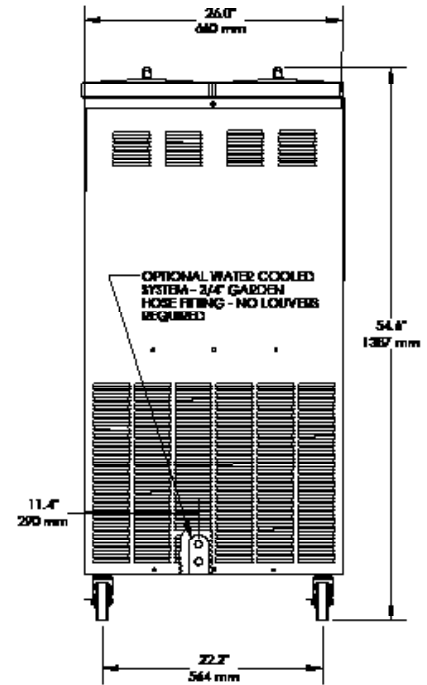
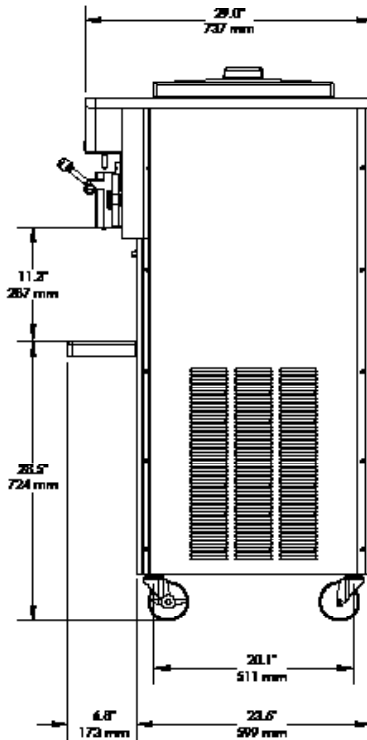
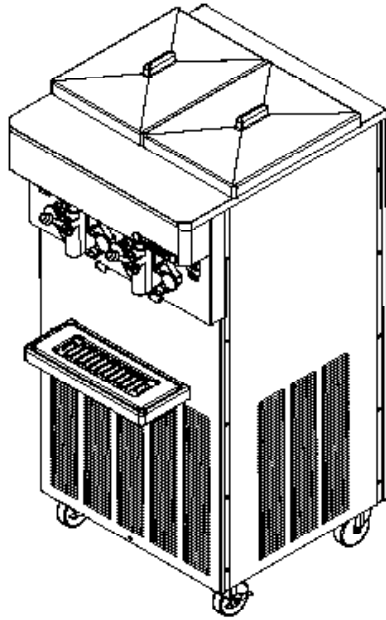
Made in USA

We reserve the right to change specifications and product designs without notice. Such revisions do not entitle the buyer to corresponding changes, improvements, additions or replacements for previously purchased equipment.

451 E. County Line Rd. • P.O. Box 1089 • Mooresville, IN 46158
Toll Free 800-733-8073 • Local 317-831-7030 • Fax 317-831-7036
www.saniserv.com

MODEL 624

Floor Model *Twin Flavor* Shake Freezer



Minimum Wall Clearance
Both Sides and Back -
6 inches (152 mm)

ELECTRICAL				WIDTH	HEIGHT	DEPTH	WEIGHT	VOLUME
VOLTS	Hz	Ph.	Amps	INCHES (MM)	INCHES (MM)	INCHES (MM)	LBS. (Kg)	CU FT. (cu. m.)
208-230	60	1	2x25*	26 (660)	54.6 (1387)	28 (711)	575 (261)	
208-230	60	3	2x20*					
Shipping Specifications				37 (940)	60 (1524)	41 (1024)	675 (306)	52.7 (1.49)

* 2 circuits required

Specifications:

Cooling System:

Air or Water

Dasher and Compressor Motors:

- (2) 1/4 HP Dasher
- (2) 2 HP Scroll Compressor

Refrigerant Type:

R404A

Listings:

UL, cUL, NSF

Features:

Evaporator and Mix Reservoir

Capacity:

20 Quarts (18.9 liters)

Dasher:

Heavy-Duty Stainless Steel with low friction scraper blades.

Controls:

AccuFreeze™ solid-state control for accurate product consistency.

Solid State Audio/Visual Mix Out System with Compressor Lockout

Warranty:

- Parts 1 year
- Compressor 5 years
- Evaporator 5 years

Options:

- Tune Up Kit
- Parts Tray
- Syrup Rail
- Drink Spinner
- Water Cooled - 3/4" Garden Hose Fitting
- Wash Out Kit - 3/8" Flare Fitting
- Export Voltages

451 E. County Line Rd. • P.O. Box 1089 • Mooresville, IN 46158
Toll Free 800-733-8073 • Local 317-831-7030 • Fax 317-831-7036

www.saniserv.com

REV 07-2015